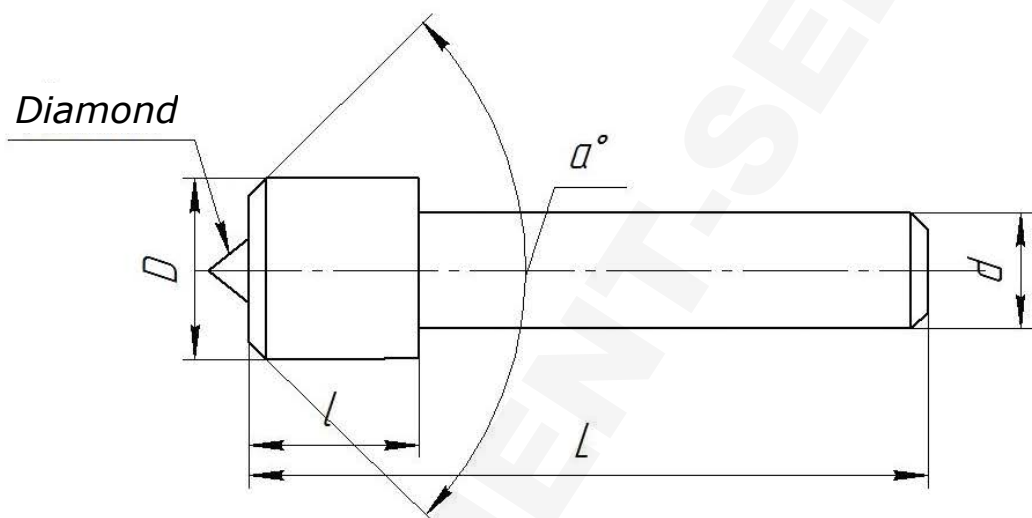
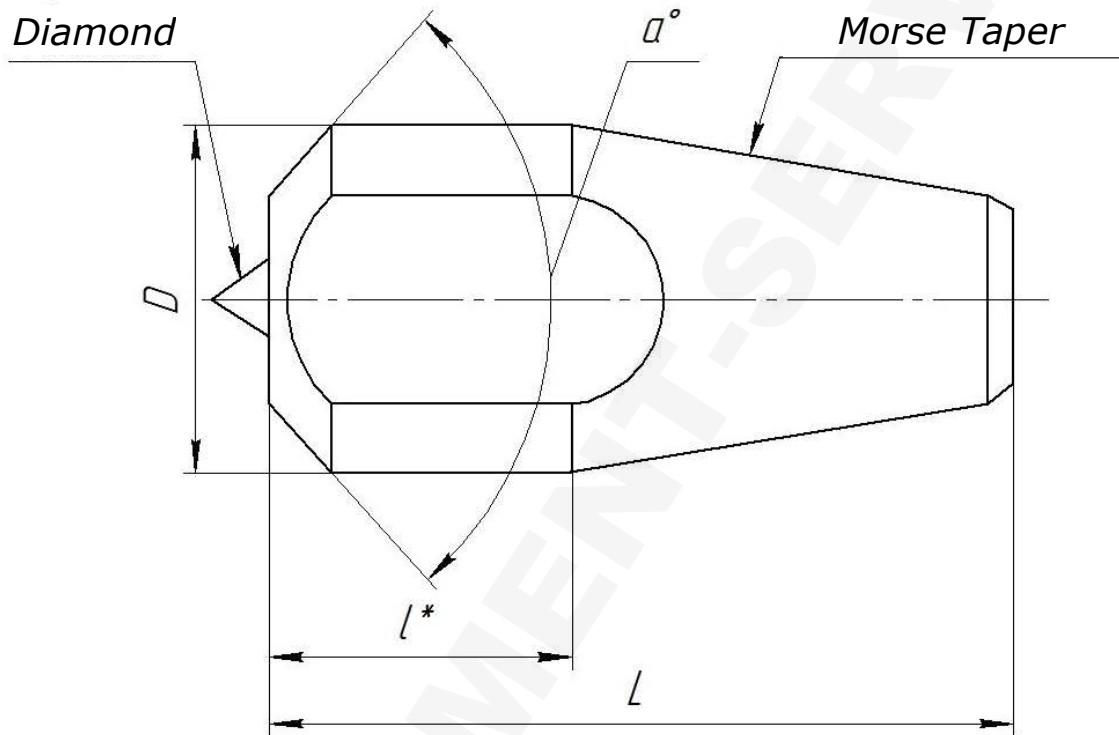


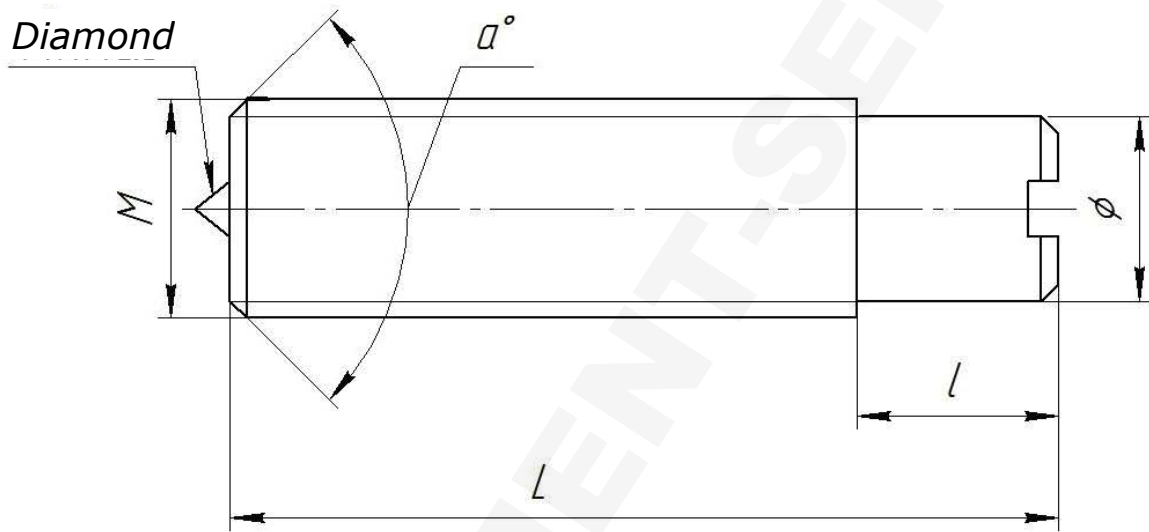
Type 1 - Cylindrical



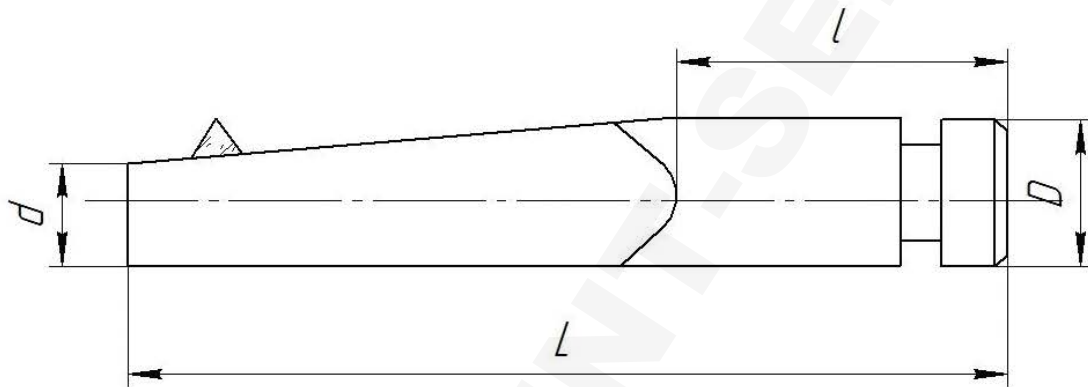
Type 2 - Cylindrical Stepped



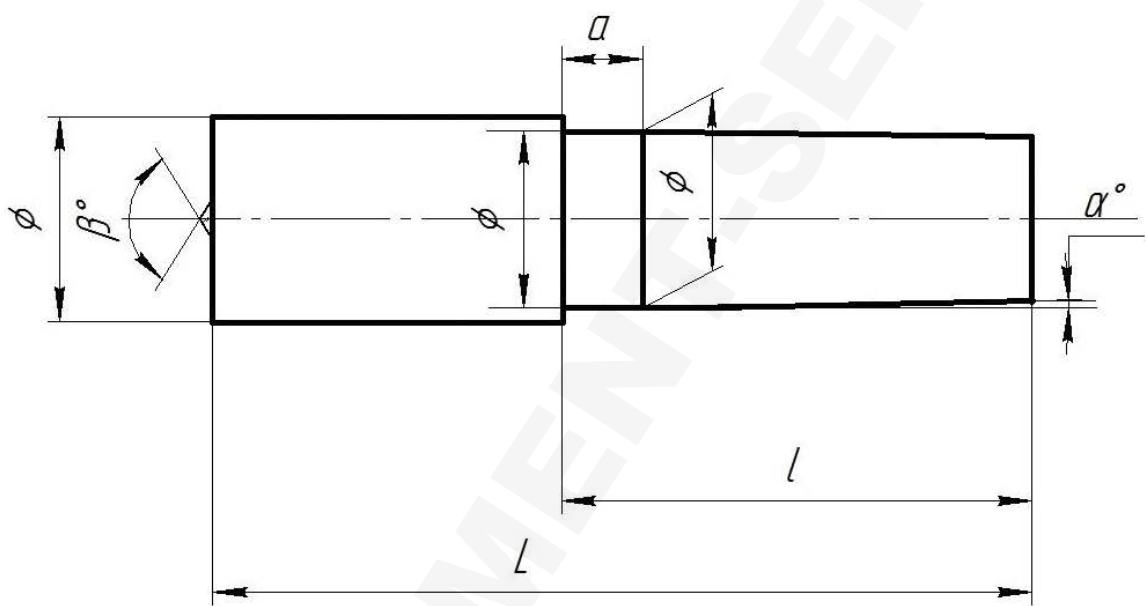
Type 3 - Morse Taper



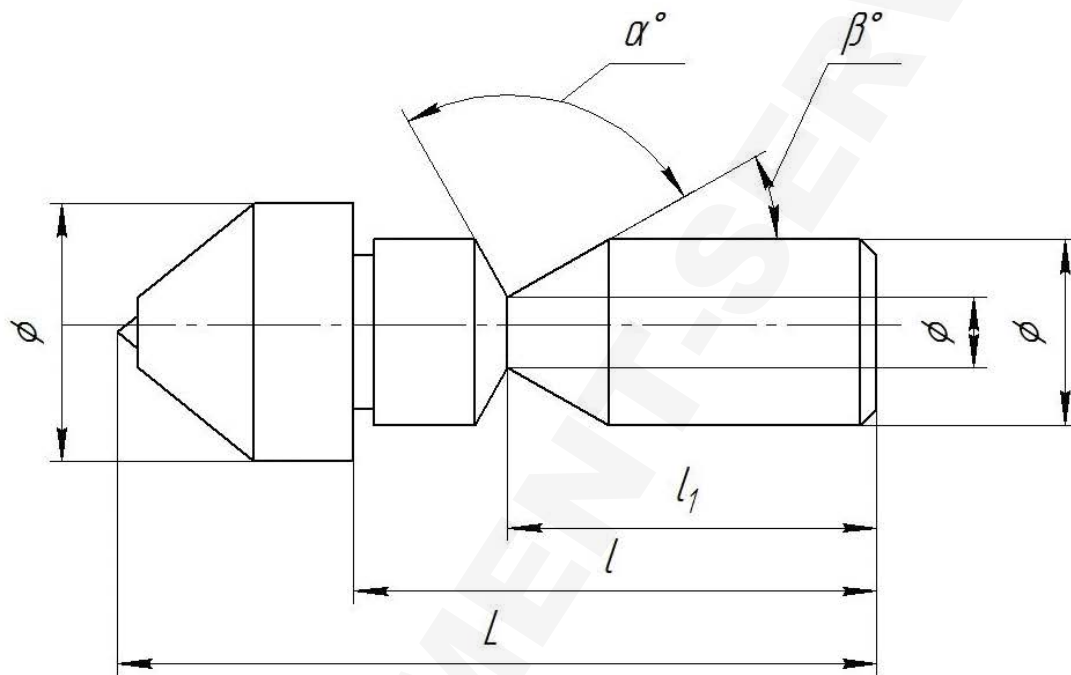
Type 4 - Threaded



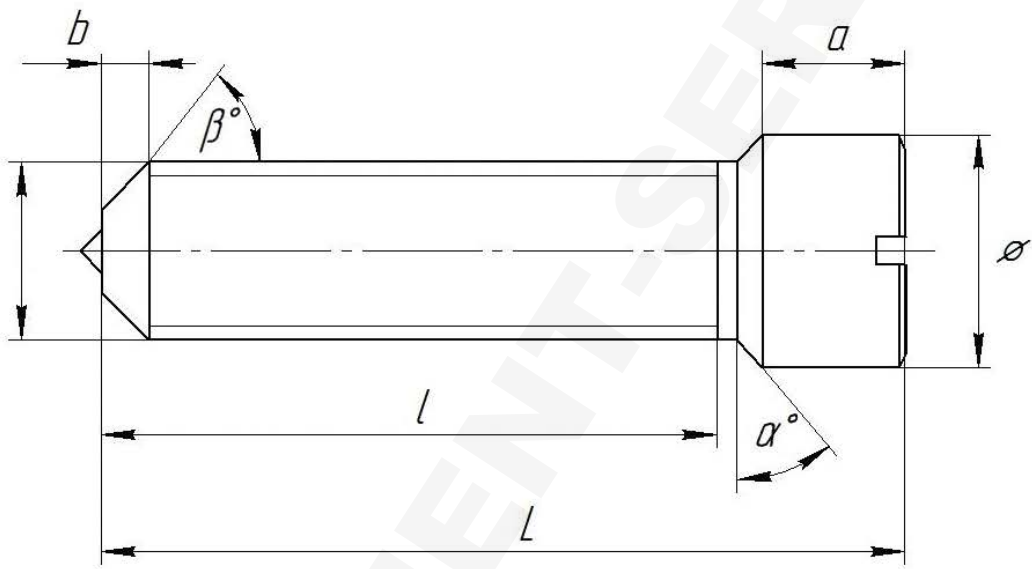
Other Single Point Dressers



Other Single Point Dressers



Other Single Point Dressers



Other Single Point Dressers